

Milano - 24"

Specification & Installation Guide

Features

- Free Standing 24" vanity: 33-1/2"(852mm)H x 18"(458mm)D x 23-5/8"(600mm)W
- Furniture grade plywood layered with solid wood veneer and protected with several coats of polyurethane.
- Matching finish inside out
- Two fully adjustable drawers with full-extension soft-close European hardware.
- Bottom drawer includes adjustable tempered glass dividers and retainers
- Feet option: 4 L-Feet, 2 S-Feet or C-Base in Polished Chrome, Brushed Nickel, Polished Nickel, Matte Black, or Satin Brass

Top/Basin options

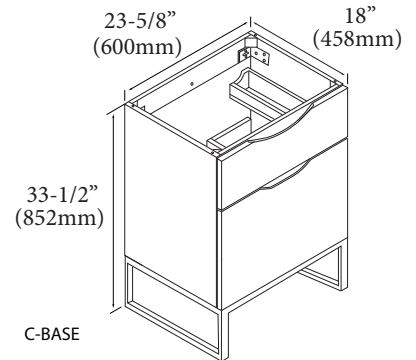
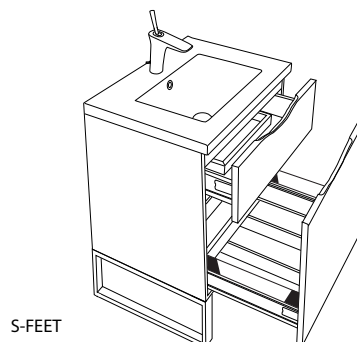
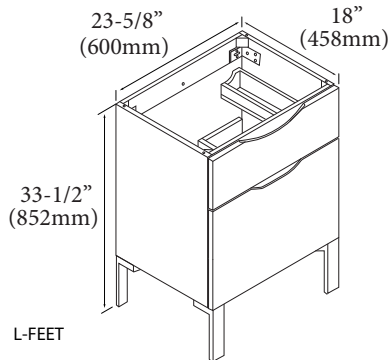
- Quartzstone™ top & white under mount ceramic basin
- Glossy White X-Stone top/basin - 1-1/2"H
- Glossy White Trough Sink - 4-1/2"H
- Ceramic basin
- Tempered glass top/basin
- Glossy or Matte White X-Stone flat top

Package Dimensions

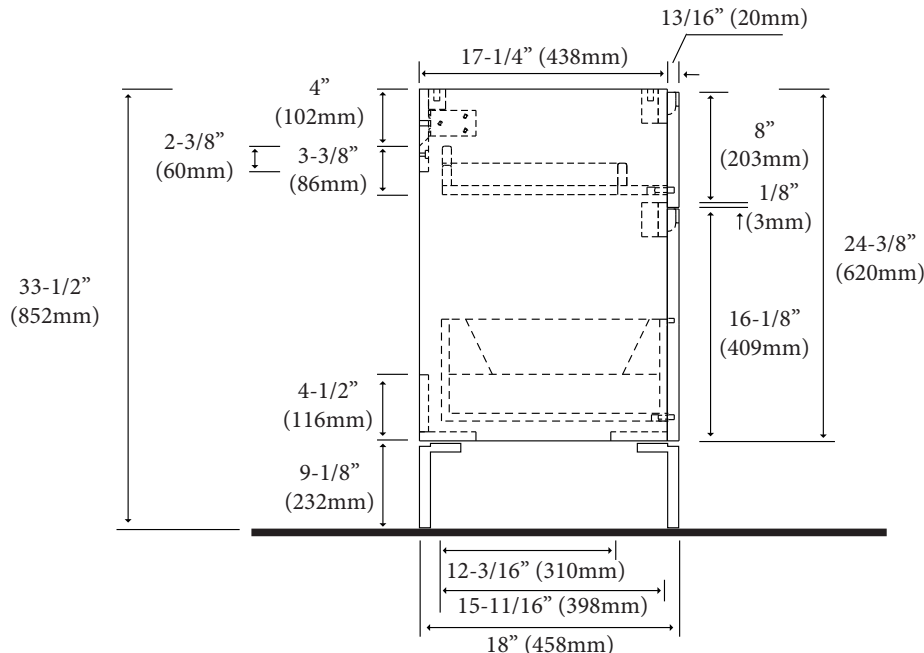
Cabinet: 26" x 21" x 28"

Weight

115 lbs. / 52.29 kgs



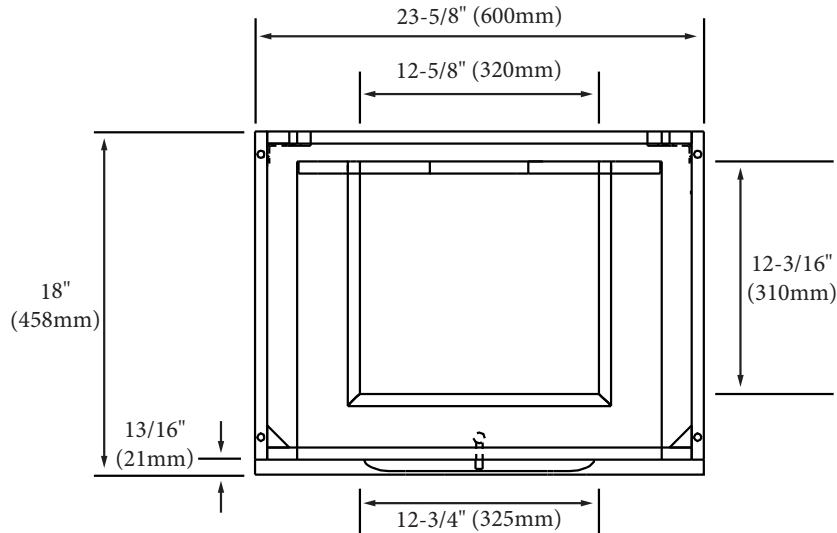
SIDE VIEW



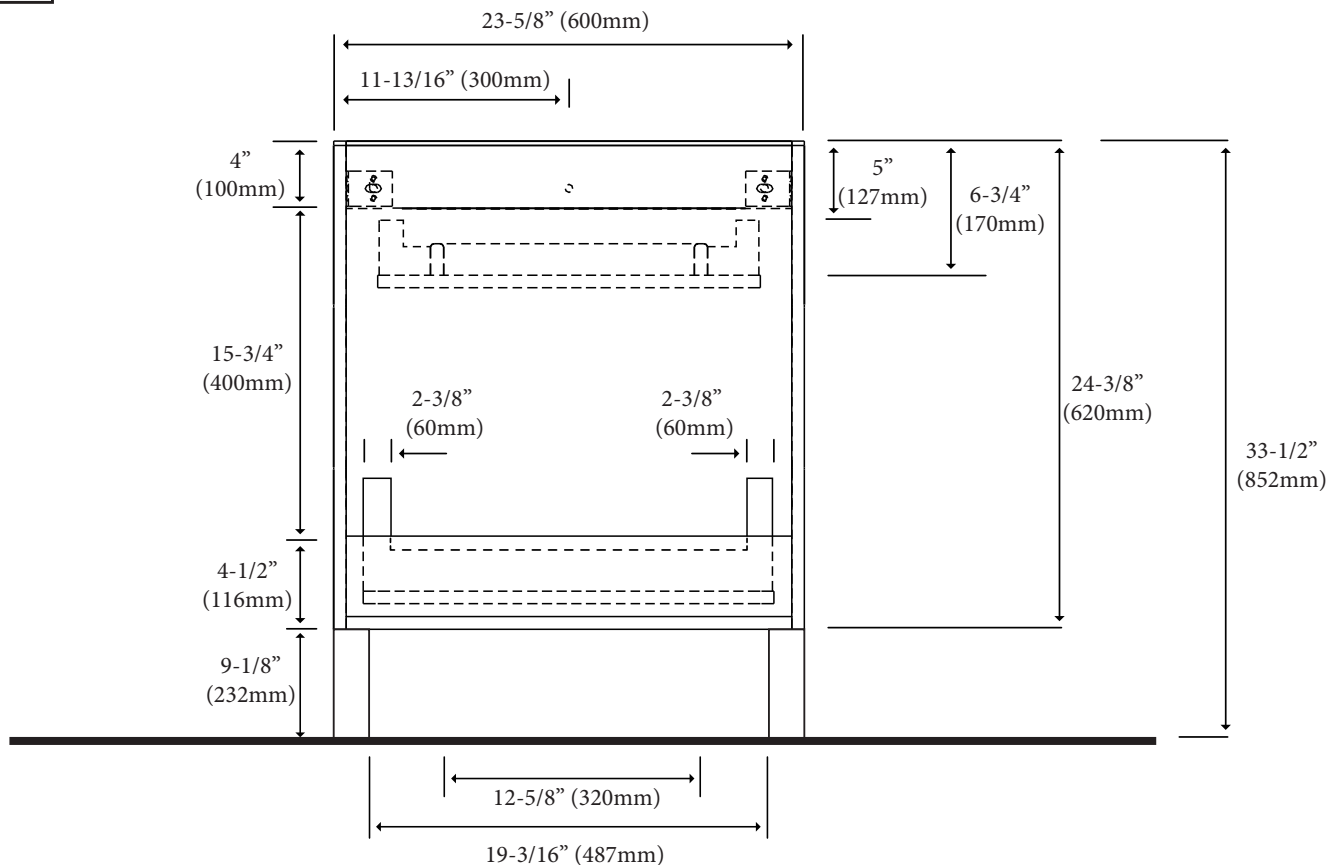
Milano - 24"

Specification & Installation Guide

TOP VIEW



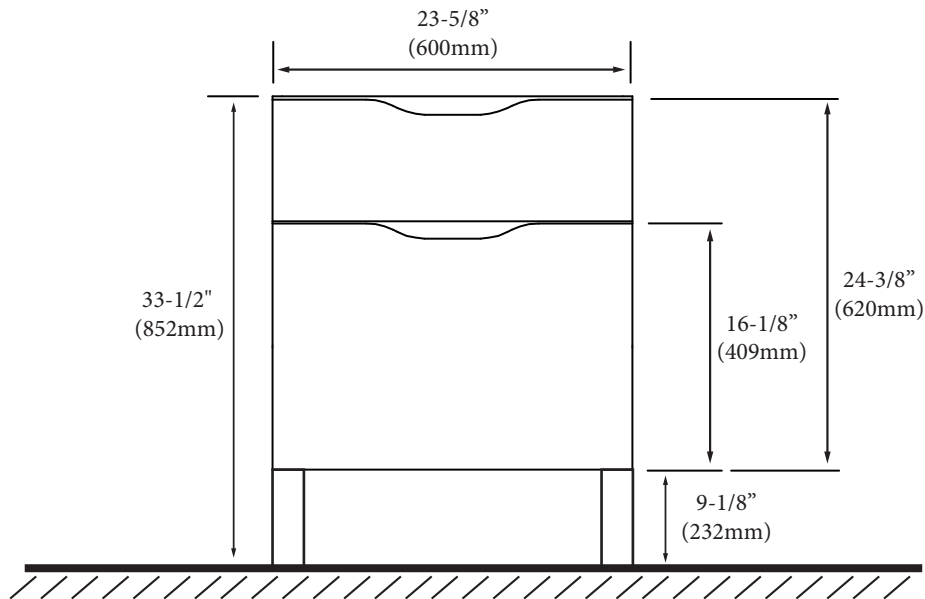
BACK VIEW



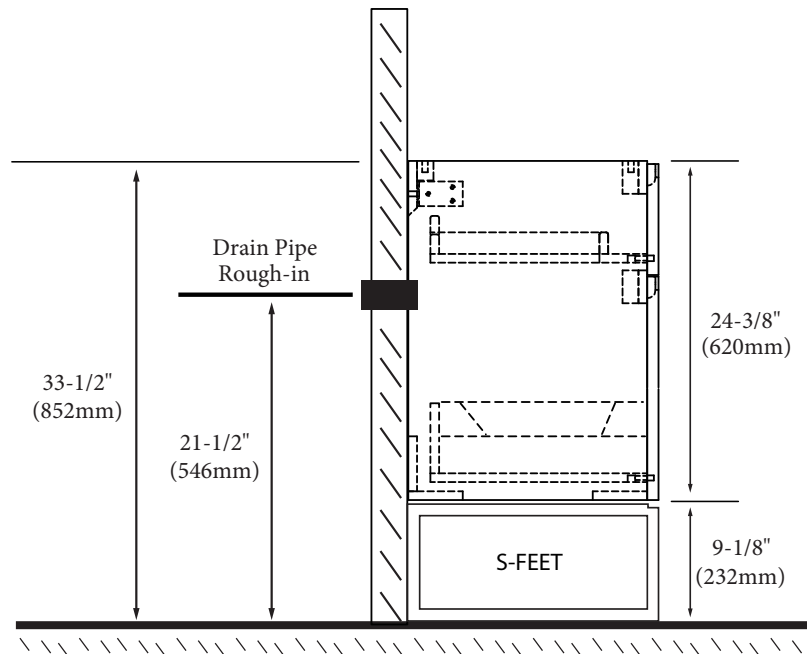
Milano - 24"

Specification & Installation Guide

FRONT VIEW



ROUGH-IN DIMENSIONS



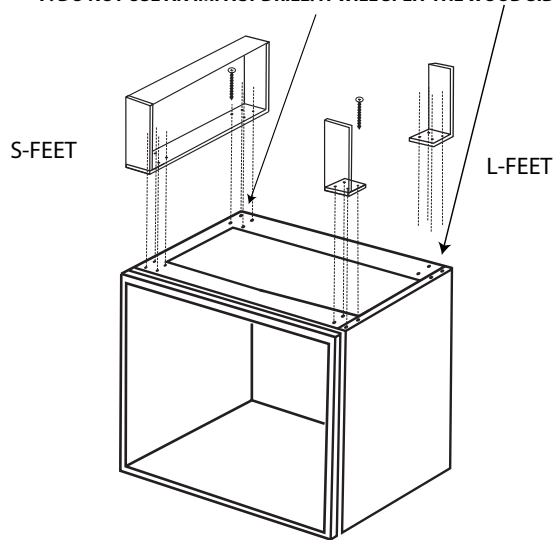
Milano - 24"

Specification & Installation Guide

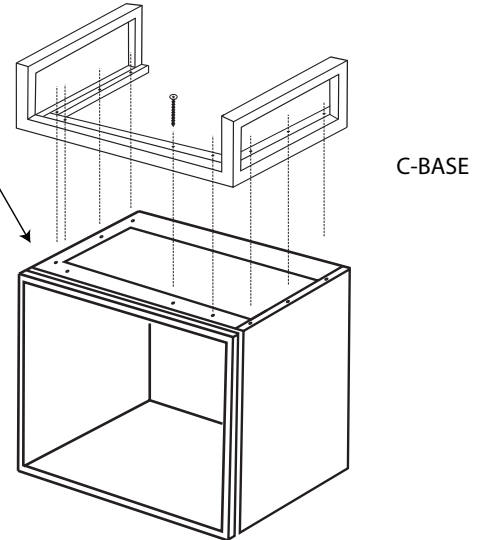
INSTALLATION INSTRUCTIONS

1. Install feet

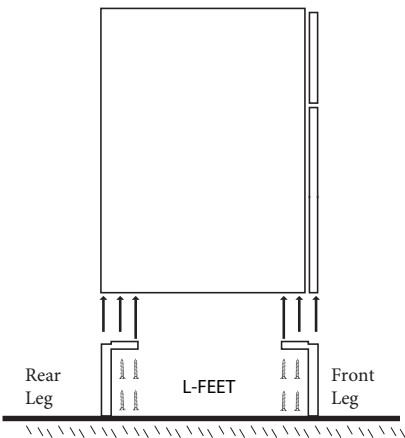
1. Remove drawers and place vanity upside down
2. Place feet in indicated positions
3. Mark screw locations
4. Pre-drill holes with 5/64, 3/32 or 7/64 drill bit about 1/2" deep
5. **DO NOT OVER TIGHTEN THE SCREWS. DOING SO WILL SPLIT THE WOOD SIDE PANEL**
6. If using a regular battery drill, set clutch to minimum and increase setting as needed
7. **DO NOT USE AN IMPACT DRILL. IT WILL SPLIT THE WOOD SIDE PANEL**



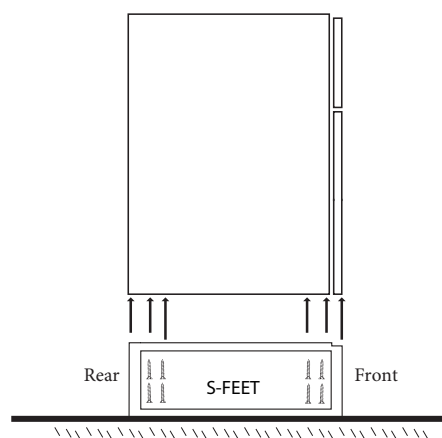
2. C-Base installation



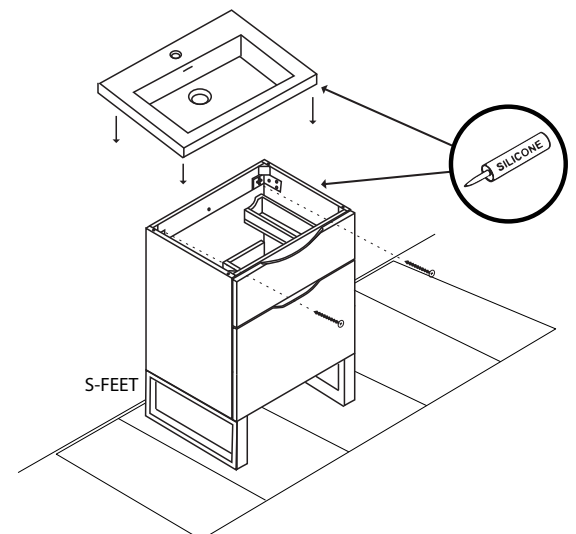
3. L- Feet position



4. S- Feet position



5. **Secure cabinet to wall** and Install countertop with Silicone



For clarification, please contact Madeli Customer Care at (800)819-6988 or (305)718-8817 Ext. 1 or service@madeli.com
All dimensions are approximate and subject to standard tolerance. Specifications subject to change without prior notice.